

# BOXLITE EXIT



## Conventional Exit for Quick Retrofits

The Boxlite Exit is a conventional style LED exit with a detachable base plate that makes retrofitting on existing sites easy work, and can be easily changed between maintained to non-maintained modes via the test button.

Available as a wall or ceiling mount model and supplied with all directional combinations in each box.

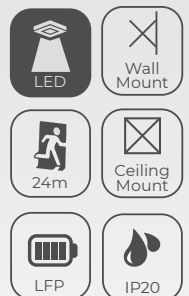


### Applications

- |   |  |
|---|--|
|  Office Buildings |  Schools        |
|  Factories        |  Retail Outlets |
|  Car Parks        |  Apartments     |

### Features and Benefits

- AS/NZS 2293.3 compliant
- Wall or ceiling mount
- Maintained or non-maintained operation
- All directional decals in one box
- Lithium Iron Phosphate battery



**TRADE**  
S E R I E S

THE TRADES CHOICE

# BOXLITE EXIT

ORDERING INFORMATION	TS CEILING MOUNT <sup>1</sup>	TS WALL MOUNT <sup>2</sup>
Standard	EBLLED-CM-LI	EBLLED-WM-LI
Clevertest Plus System Compatible	No	
Carton Quantity	5	
Weight - Single (Carton)	1.5kg (7.5kg)	
Dimensions (L x W x H)	375mm x 160mm x 240mm	375mm X 105mm X 160mm
Directional Options	All Directional Inserts Included	

POWER, LAMPS AND BATTERY	TS CEILING MOUNT <sup>1</sup>	TS WALL MOUNT <sup>2</sup>
Power Consumption (Standby / Max)	1.4W / 2.3W	
Lamp(s)	50,000 Hours LED	
Battery	Lithium Iron Phosphate	
Voltage (V) / Capacity (mAh)	3.2V / 1100mAh	
Charging Method	Intelligent Current Limited Constant Voltage	

TECHNICAL SPECIFICATIONS		
Operating Mode	Maintained	
Voltage (V) Frequency (Hz)	220-240V (50Hz)	
Construction - Body / Diffuser	ABS / PC	
Viewing Distance	24m	
Mounting Type	Ceiling Single or Double Sided	Wall Single Sided
Operating Temperature	1°C to 40°C	
Ingress Protection Rating (IP)	IP20	

ACCESSORIES	TS CEILING MOUNT <sup>1</sup>	TS WALL MOUNT <sup>2</sup>
Cantilever Bracket (Ceiling)	3562090	3562090
Wireguard (Wall Mount)	2530050	2530050
Wireguard (Ceiling Mount)	2530110	2530110

CLASSIFICATION	TS CEILING MOUNT <sup>1</sup>	TS WALL MOUNT <sup>2</sup>
C0	D3.2	E2
C90	D3.2	E2

SPACING TABLE AND MOUNTING HEIGHTS – AS/NZS 2293.1:2018 (MINIMUM LIGHT LEVEL OF 0.2 LUX)									
Classification	2.1m	2.4m	2.7m	3.0m	3.3m	3.6m	4.0m	4.5m	5.0m
E2	5.0	5.2	5.2	5.2	0.0	0.0	0.0	0.0	0.0
D3.2	6.5	6.5	6.5	6.5	6.3	6.1	5.8	0.0	0.0

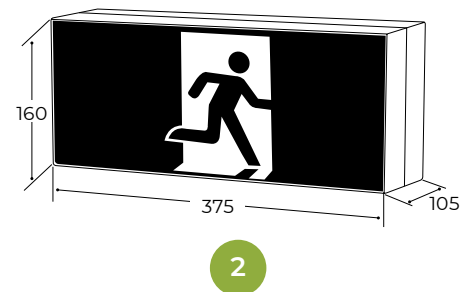
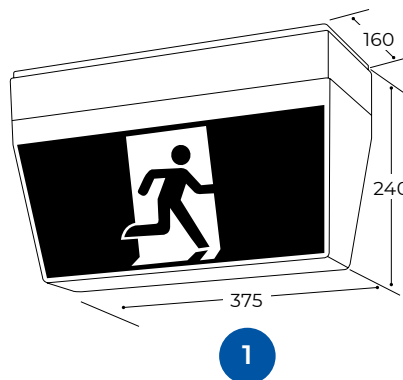
For 1 lux and AS/NZS 2293.1:2005 spacing tables please visit: <https://clevertronics.com.au/spacing-tables/>

Based on minimum light level of 0.2 lux.  
Maximum allowed mounting height is 2.7m but for exceptions see AS/NZS 2293.1.  
Spacing classifications do not apply for theatre versions.

\*Warranty information located at:  
<https://clevertronics.com.au/warranty-statement/>

## Product Configuration:

- <sup>1</sup> Ceiling Mount
- <sup>2</sup> Wall Mount



Dimensions (mm)

**clevertronics.co.nz**  
**clevertronics.com.au**

1 Caribbean Drive, Scoresby VIC 3179  
P +61 3 9559 2700 F +61 3 9559 2799 E [info@clevertronics.com.au](mailto:info@clevertronics.com.au)

Clevertronics is committed to continuously improving its products.  
All features and specifications are subject to change without prior notice.  
\_PRODUCT SHEETS – ANZ Boxlite 04OCT22

